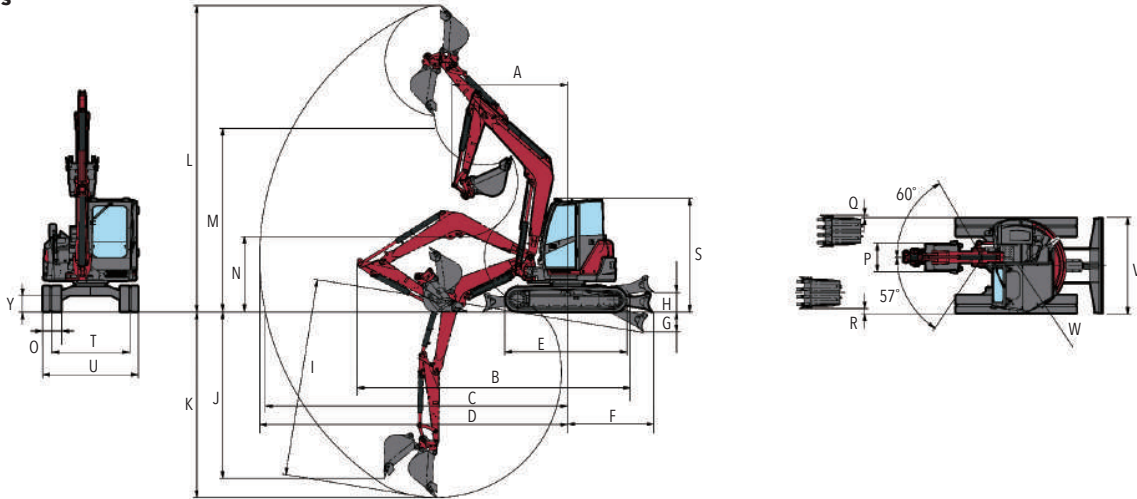


# YANMAR VIO80

7.0T-9.0T RUBBER TRACKED EXCAVATOR

●Dimensions



Rubber track specification  
Unit: mm (in.)

VIO80-1 Cabin		A <at boom swing>	B	C	D	E	F	G	H	I	J	K	L	M	N	O	P	Q	R	S	T	U	V	W	Y
		With quick coupler	2720 (107) <2370 (93.3)>	6460 (254)	7140 (281)	7280 (287)	2890 (114)	1990 (78.3)	480 (18.9)	460 (18.1)	4680 (184)	3940 (155)	4400 (173)	7230 (285)	4620 (182)	1750 (68.9)	450 (17.7)	750 (29.53)	60 (2.36)	120 (4.72)	2680 (106)	1870 (73.6)	2270 (89.4)	2260 (89.0)	1135 (44.7)
Without quick coupler	2470 (97) <2130 (83.9)>	6410 (252)	6820 (269)	6960 (274)					4440 (175)	3800 (150)	4150 (163)	6790 (267)	4680 (184)	1940 (76.4)											

●Specifications

MODEL				VIO80-1			
TYPE				Cabin			
				With quick coupler		Without quick coupler	
WEIGHT	Operating weight	Rubber track	kg (lbs.)	8225 (18136)		8065 (17783)	
		Steel track	kg (lbs.)	8285 (18268)		8125 (17916)	
ENGINE	Type	Vertical 4-cylinder water-cooled direct injection diesel engine					
	Model	4TNV98-ZWBV2					
BUCKET	Rated output, gross		kW (HP) / rpm	39.3 (52.7) / 1900			
	Capacity, standard		cu.m (cu.ft)	0.28 (9.89)			
PERFORMANCE	Width, standard		mm (in.)	750 (29.53)			
	Max. digging force	Bucket	kN (lbs.)	50.4 (11332)		63.5 (14275)	
		Arm	kN (lbs.)	37.2 (8356)		40.8 (9172)	
	Max. digging depth <at the blade down>		mm (in.)	4400 (173) <4680 (184)>		4150 (163) <4440 (175)>	
	Max. vertical wall digging depth		mm (in.)	3940 (155)		3800 (150)	
	Max. cutting height		mm (in.)	7230 (285)		6790 (267)	
	Max. dumping height		mm (in.)	4620 (182)		4680 (184)	
	Max. digging radius of the ground		mm (in.)	7140 (281)		6820 (269)	
	Front min. swing radius <at swinging the boom>		mm (in.)	2720 (107) <2370 (93)>		2470 (97) <2130 (83.9)>	
	Boom swing angle: left / right		degrees	57 / 60			
SPEED	Travel speed: high / low	Rubber track	km/h (mph)	4.5 (2.8) / 2.5 (1.6)			
		Steel track	km/h (mph)	4.1 (2.5) / 2.3 (1.4)			
	Swing speed		rpm	9			
GROUND PRESSURE	With standard track	Rubber track	kPa (PSI)	35.8 (5.19)		35.1 (5.09)	
		Steel track	kPa (PSI)	36.2 (5.25)		35.5 (5.15)	
TANK CAPACITY	Fuel tank		L (gal)	115 (30.4)			
	Hydraulic oil tank		L (gal)	60 (15.8)			
HYDRAULIC SYSTEM	Pump displacement		L/min (gpm)	70.3 (18.6)×2 <Variable displacement pump> 53.2 (14.1)×1, 19 (5.0)×1 <Gear pump>			
	Relief set pressure		MPa (PSI)	25.5 (3698)×2, 24.0 (3481)×1, 2.9 (421)×1			
	Max. P.T.O. output		L/min (gpm)	120 (31.7)			

All data are subject to change without notice. Note that the standard equipment may vary. Consult your YANMAR dealer for confirmation.

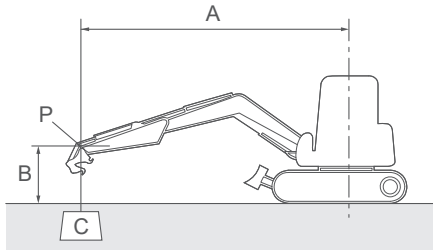
**YOUR ONE SUPPLIER FOR EQUIPMENT HIRE, NATIONWIDE.**

Service area: Nationwide | Branches: New Plymouth & Hawera | Phone: 0800 44 10 44 | Email: hire@presco.co.nz

# YANMAR VIO80

7.0T-9.0T RUBBER TRACKED EXCAVATOR

## Lifting Capacity



With: Cabin, rubber track and quick coupler  
Without: Bucket

- A: Reach from swing center line [m (in.)]
- B: Load point height [m (in.)]
- C: Lifting load [kg (lbs.)]
- P: Load point
- : Rating over front
- : Rating over side or 180 degrees

Loads shown in table include weight of standard bucket [195kg (430lbs.)].

### Blade on ground

Unit: kg (lbs.)

A [m (in.)]	Max.		5.0 (196.9)		4.0 (157.5)		3.0 (118.1)	
B [m (in.)]								
5.0 (196.9)	*1650 (3638)	1240 (2734)	-	-	*1620 (3572)	*1610 (3550)	-	-
4.0 (157.5)	*1550 (3417)	1040 (2293)	*1550 (3417)	1160 (2557)	*1620 (3572)	*1600 (3528)	-	-
3.0 (118.1)	*1580 (3483)	890 (1962)	*1640 (3616)	1140 (2513)	*1920 (4233)	*1890 (4167)	*2480 (5468)	*2500 (5512)
2.0 (78.7)	*1520 (3351)	790 (1741)	*1790 (3946)	1080 (2381)	*2280 (5027)	*1850 (4079)	*3120 (6879)	*2580 (5688)
1.0 (39.4)	*1540 (3395)	770 (1697)	*1930 (4255)	1040 (2293)	*2590 (5710)	*1720 (3792)	*3470 (7651)	*2300 (5071)
0 (0)	*1530 (3373)	790 (1741)	*1960 (4321)	1010 (2227)	*2660 (5865)	*1690 (3726)	*3660 (8070)	*2410 (5314)
-1.0 (-39.4)	*1510 (3329)	890 (1962)	*1840 (4057)	1010 (2227)	*2480 (5468)	*1670 (3682)	*3440 (7585)	*2550 (5622)
-2.0 (-78.7)	*1350 (2976)	1090 (2403)	-	-	*2040 (4498)	*1700 (3748)	*2820 (6218)	*2690 (5931)

### Blade above ground

Unit: kg (lbs.)

A [m (in.)]	Max.		5.0 (196.9)		4.0 (157.5)		3.0 (118.1)	
B [m (in.)]								
5.0 (196.9)	*1610 (3550)	1240 (2734)	-	-	*1570 (3461)	*1610 (3550)	-	-
4.0 (157.5)	1090 (2403)	1030 (2271)	1240 (2734)	1130 (2491)	*1550 (3417)	*1600 (3528)	-	-
3.0 (118.1)	920 (2028)	860 (1896)	1210 (2668)	1110 (2447)	*1870 (4123)	*1880 (4145)	*2420 (5336)	*2510 (5534)
2.0 (78.7)	830 (1830)	770 (1697)	1140 (2513)	1050 (2315)	1630 (3594)	1540 (3395)	*2800 (6174)	2180 (4806)
1.0 (39.4)	800 (1764)	760 (1675)	1080 (2381)	1020 (2249)	1560 (3439)	1440 (3175)	2070 (4564)	1930 (4255)
0 (0)	830 (1830)	780 (1719)	1060 (2337)	980 (2160)	1500 (3307)	1430 (3153)	2210 (4873)	2060 (4542)
-1.0 (-39.4)	920 (2028)	870 (1918)	1050 (2315)	980 (2160)	1490 (3285)	1400 (3087)	2330 (5137)	2120 (4674)
-2.0 (-78.7)	1130 (2491)	1100 (2425)	-	-	1530 (3373)	1450 (3197)	2400 (5292)	2250 (4961)

Note:

The lifting load with the asterisk (\*) mark is limited by hydraulic lifting capacity rather than tipping. The lifting capacity shown in the above list is based on the ISO Standard No. 10567 and represents either 87% of hydraulic lifting capacity or 75% of tipping load, which is smaller.

**YOUR ONE SUPPLIER FOR EQUIPMENT HIRE, NATIONWIDE.**

Service area: Nationwide | Branches: New Plymouth & Hawera | Phone: 0800 44 10 44 | Email: hire@presco.co.nz