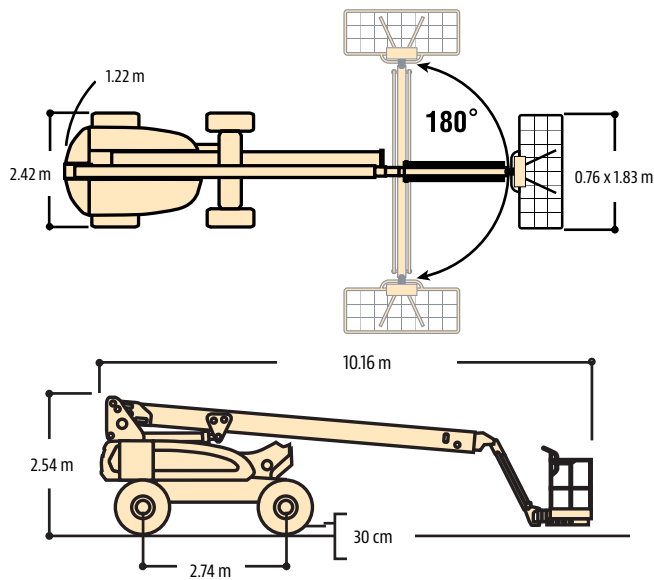
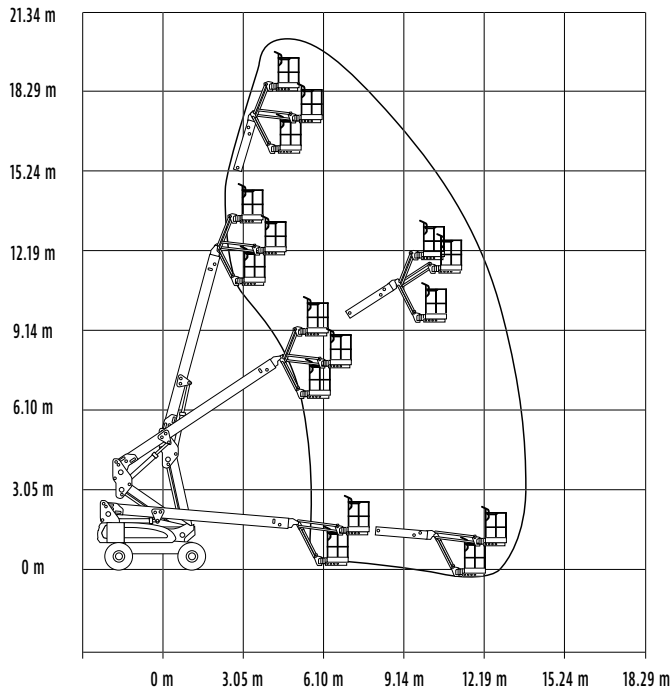


# JLG E600JP

20M ALL TERRAIN HYBRID TELESCOPIC BOOM



- 1.83 m Vertical and Lateral Articulating Jib
- Brushless AC Motors
- Operator Tool Tray
- Inward Self-closing Self-locking Swing Gate
- Platform Console Machine Status Light Panel\*
- Tilt Light and Alarm
- Hourmeter
- Battery Condition Indicator
- Lifting/Tie-down Lugs
- 400° Non-continuous Rotation
- Removable Battery Box
- Oscillating Axle
- Manual Descent
- Automatic Traction Control (ATC)
- SCR Automatic Battery Charger
- All-motion Alarm
- Flashing Amber Beacon
- SkyGuard® Enhanced Control Panel Protection
- Cylinder Bellows

## Performance

Platform Height	E/M600JP	18.29 m
Horizontal Outreach	E/M600JP	13.11 m
Swing (non-continuous)		400°
Platform Capacity		230 kg
Platform Rotator (hydraulic)		180°
Weight	E/M600JP	7,705 kg
Jib – Overall Length	E/M600JP	1.24 m
Jib – Range of Rotation	E/M600JP	180°
Jib – Range of Articulation	E/M600JP	145° (+89°/-56°)
Drive Speed	E/M600JP	4.8 km/h
Gradeability	E/M600JP 2WD	30%
	E/M600JP 4WD	45%
Inside Turning Radius	E/M600JP	1.23 m
Outside Turning Radius	E/M600JP	4.65 m

## Standard Specifications

### Power Source

Electrical System	48V DC
Batteries	8 x 6V, 415 AH
Drive Motors	Dual Electric Traction – Brushless AC
Generator Set (M Models)	
Diesel Engine Kubota 45 amp	4.99 kW
Fuel Tank Capacity	49.21 L

### Hydraulic System

Capacity	56.78 L
Motor/Pump	Series Wound Motor/Gear Pump

### Tyres

E/M600JP	36/14 LL-22.5 Foam-filled Non-marking
----------	---------------------------------------

**YOUR ONE SUPPLIER FOR EQUIPMENT HIRE, NATIONWIDE.**

Service area: Nationwide | Branches: New Plymouth & Hawera | Phone: 0800 44 10 44 | Email: hire@presco.co.nz