

GENIE Z30/20 NRJ

11M ELECTRIC KNUCKLE BOOM

Specifications

Models	Z-30/20N		Z-30/20N RJ	
Measurements	US	Metric	US	Metric
Working height max. ⁽¹⁾	36ft	11.14m	35ft 2in	10.89m
Platform height max.	30ft	9.14m	29ft 2in	8.89m
Horizontal reach max.	21ft 5in	6.53m	20ft 6in	6.25m
Up and over clearance max.	12ft 8in	3.86m	12ft 8in	3.86m
A Platform length	2ft 6in	0.76m	2ft 6in	0.76m
B Platform width	3ft 10in	1.17m	3ft 10in	1.17m
C Height - stowed	6ft 6.5in	2.00m	6ft 6.5in	2.00m
D Length - stowed	16ft 9in	5.11m	17ft 5in	5.31m
E Storage height	6ft 7in	2.08m	7ft 4in	2.24m
F Storage length	11ft 6in	3.5m	12ft	3.66m
G Width	3ft 11in	1.19m	3ft 11in	1.19m
H Wheelbase	5ft 2in	1.58m	5ft 2in	1.58m
I Ground clearance - center	3.5in	0.09m	3.5in	0.09m

Productivity

Lift capacity max. - unrestricted	500 lb	227 kg	500 lb	227 kg
Platform rotation	180°		180°	
Jib length	4ft	1.22m	4ft	1.22m
Vertical jib rotation	139°		139°	
Horizontal jib rotation	—		180°	
Turntable rotation	355°		355°	
Turntable tailswing	0in	0cm	0in	0cm
Drive speed - stowed ⁽²⁾	3.0 mph	4.8 km/h	3.0 mph	4.8 km/h
Drive speed - raised	0.68 mph	1.1 km/h	0.68 mph	1.1 km/h
Gradeability - stowed ⁽²⁾	35%		35%	
Tilt sensor activation (front to back/side to side)	2.5° - 4.5° / 4.5°		2.5° - 4.5° / 4.5°	
Turning radius - inside/outside	5ft 5in/10ft 7in	1.65m/3.23m	5ft 5in/10ft 7in	1.65m/3.23m
Tires (solid, non-marking)	22x7x17.75 in	56x18x45 cm	22x7x17.75 in	56x18x45 cm

Power

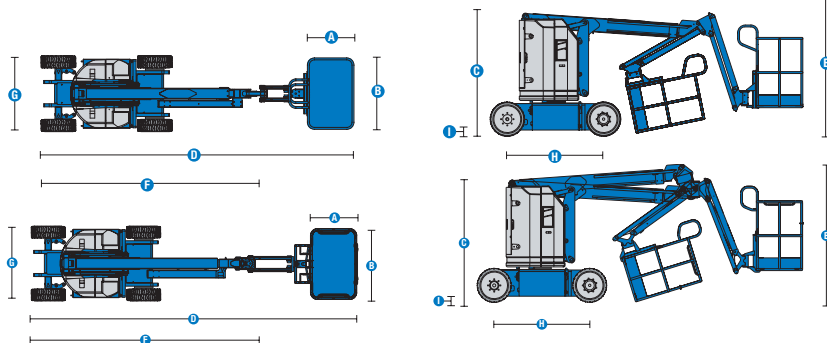
Power	48V DC (8x6V 350Ah)		48V DC (8x6V 350Ah)	
Auxiliary power unit	24V DC		24V DC	
Hydraulic tank capacity	4 gal	15.1 L	4 gal	15.1 L

Weight⁽³⁾ and Floor Loading⁽⁴⁾

Weight	14,421 lb	6,541 kg	14,562 lb	6,605 kg
Tire contact pressure	103 psi	710 kPa	103 psi	710 kPa
Occupied floor pressure (tires)	535 psf	25.62 kPa	537 psf	25.71 kPa

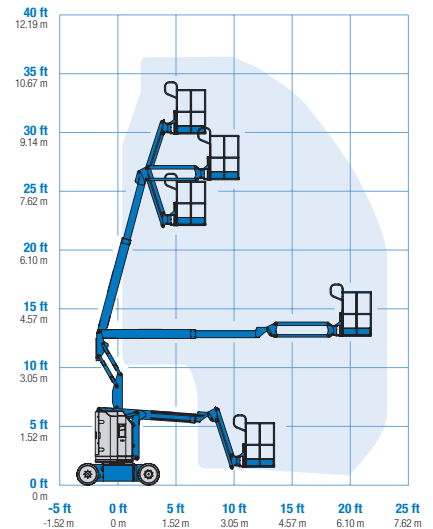
Sound and Vibration Levels

Sound Pressure level (ground workstation)	< 70 dBA		< 70 dBA	
Sound Pressure level (platform workstation)	< 70 dBA		< 70 dBA	
Vibrations	8 ft 2 in/s ²	2.5 m/s ²	8 ft 2 in/s ²	2.5 m/s ²

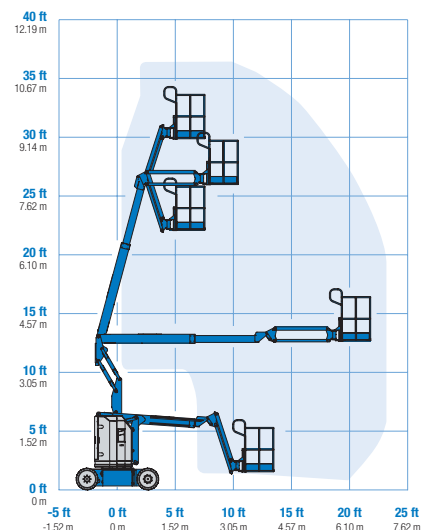


- (1) The metric equivalent of working height adds 2m to platform height. The imperial equivalent adds 6ft to platform height.
- (2) Gradeability applies to driving on slopes and may vary depending on options and machine configurations. See operator's manual for details regarding slope ratings.
- (3) Weight refers to standard configuration and may vary depending on options and/or country standards.
- (4) Floor loading information is approximate and may vary depending on options and machine configurations. It should be used only with adequate safety factors.

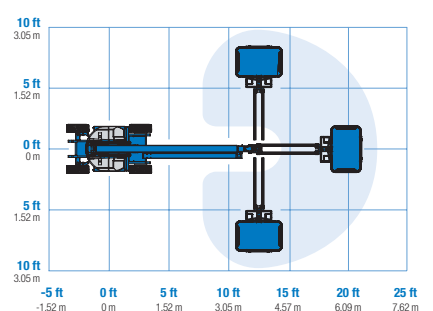
Range of motion Z-30/20N



Range of motion Z-30/20N RJ



Jib range of motion Z-30/20N RJ



YOUR ONE SUPPLIER FOR EQUIPMENT HIRE, NATIONWIDE.

Service area: Nationwide | Branches: New Plymouth & Hawera | Phone: 0800 44 10 44 | Email: hire@presco.co.nz